

METERING VALVE WITH CONTROL

They are available with inlet and outlet threads
BSP / NPTF

All bases and valves are nickel plated as standard and on the request can be supplied in AISI 316L

In view of additional elements being added or unused points being removed, closing plates are available to be installed on the base

The Modular Metering Devices are laser marked and all relevant information is identified

The valves with R adjustable flow are equipped with adjustment turrets adjustment with a transparent cap (made of aluminium on request). The valves with F fixed flow have a flow limiting cap

KEY BENEFITS OF THE MODULAR SYSTEM

VERSATILITY	In the design of the systems
FLEXIBILITY	In the increase or decrease of the assembled modular elements
CLOSING PLATE	To set up future greasing points or remove them
TIME SAVING	The metering valves can be replaced without intervening on the block and the fittings of the main and secondary pipes
REDUCED MAINTENANCE COSTS	The total modularity of the system allows for rapid intervention at a low cost with no downtime
REDUCED STOCK COSTS	Only the metering valves

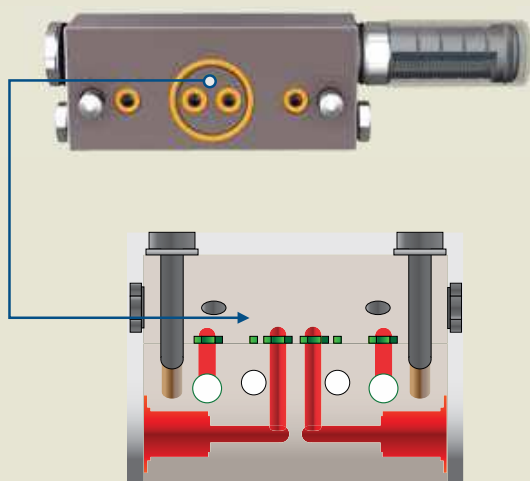
TECHNICAL FEATURES

OPERATING TEMPERATURE	FROM -30 °C ÷ TO +80 °C
LUBRICANTS	MIN 100 cSt 40°C MAX NLGI 2 AT THE OPERATING TEMPERATURE
FREQUENCY	100 CYCLES/MINUTE.
MAX PRESSURE	400 Bar
MAIN LINE	3/8" BSP - NPTF SEAT
OUTLETS LINE	1/4" BSP - NPTF SEAT
ADJUSTABLE MODEL	DR3 0.15-3.0 CC DR5 0,5 - 24.0 CC
FIXED MODEL	DF1 1.0 CC -DF3 3.0 CC

The valves are set up on two free outlets as per standard. Proceed as follows to use them as a single outlet: Unscrew the two fastening screws that secure the metering device to the base

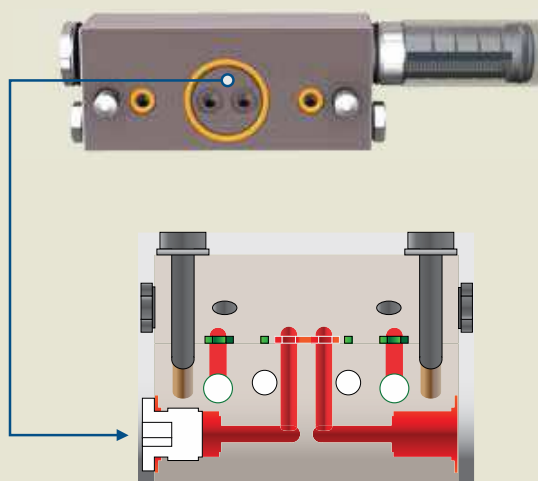
Remove the two O-rings inside and reassemble the metering device on the base. **IMPORTANT:** Order the cap to close the unused outlet separately

USE AS 2 OUTLETS



REMOVE THE 2 INDICATED O-RINGS

USE AS 1 OUTLET



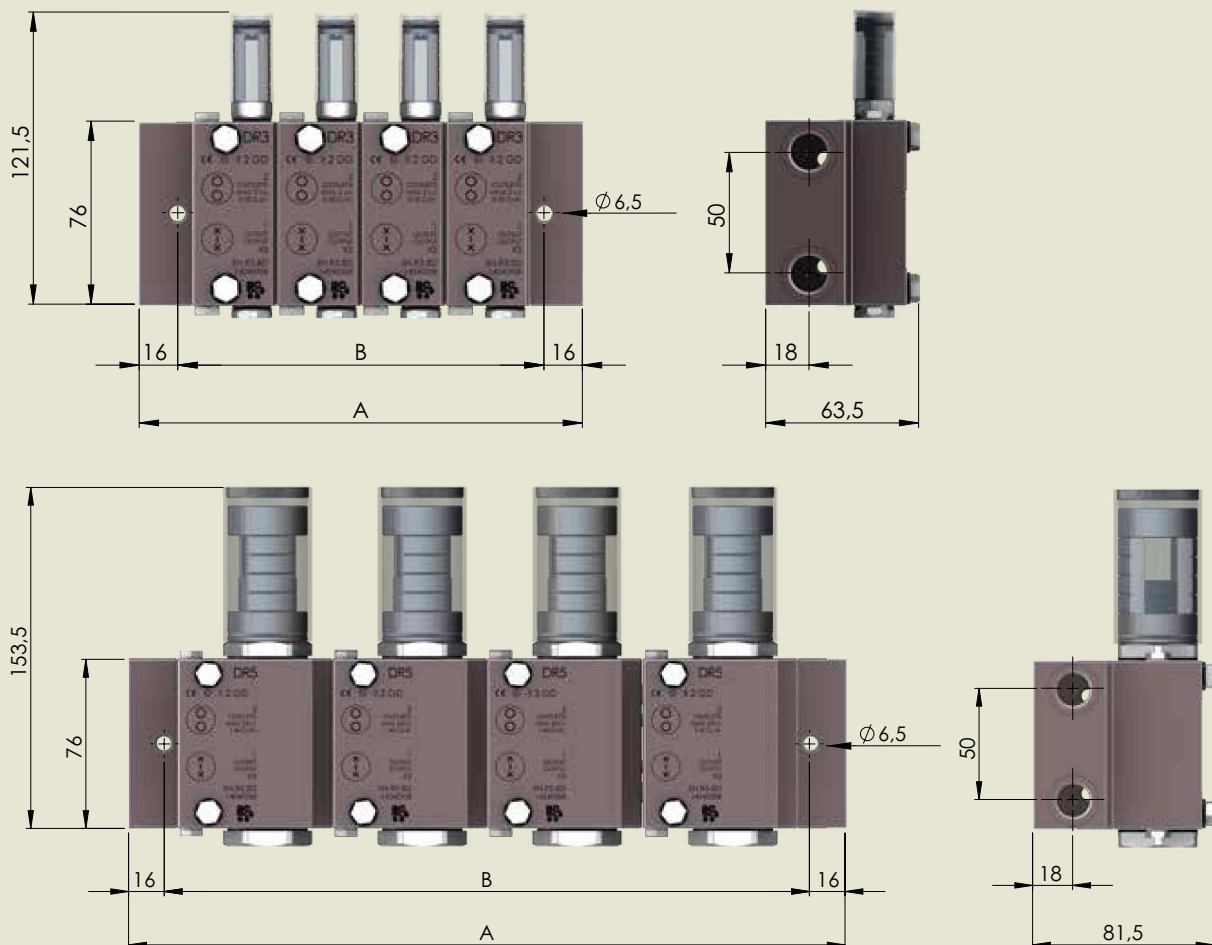
CLOSE THE UNUSED OUTLET WITH THE RELEVANT CAP CODE E3363-14

ASSEMBLED ADJUSTABLE FLOW METERING DEVICE BLOCKS DR-3 / DR-5 SERIES

STEEL		AISI 316L STEEL		CC/CYCLE	OUTLETS	A	B						
MODEL	PART NUMBER	MODEL	PART NUMBER										
DR3 BSP	5N.DR3.01.BSP	DR3X BSP	5X.DR3.01.BSP	0.15 - 3.0	2	78.5	46.5						
	5N.DR3.02.BSP		5X.DR3.02.BSP					4	113.2	81.2			
	5N.DR3.03.BSP		5X.DR3.03.BSP								6	147.9	115.9
	5N.DR3.04.BSP		5X.DR3.04.BSP										
5N.DR5.01.BSP	DR5X BSP	5X.DR5.01.BSP	0.5 - 24.0	2	113	81.2							
5N.DR5.02.BSP		5X.DR5.02.BSP					4	182.6	150.6				
5N.DR5.03.BSP		5X.DR5.03.BSP								6	252	220	
5N.DR5.04.BSP		5X.DR5.04.BSP											8
DR3 NPTF	5N.DR3.01.NPTF	DR3X NPTF	5X.DR3.01.NPTF	0.15 - 3.0	2	78.5							
	5N.DR3.02.NPTF		5X.DR3.02.NPTF				4	113.2	81.2				
	5N.DR3.03.NPTF		5X.DR3.03.NPTF							6	147.9	115.9	
	5N.DR3.04.NPTF		5X.DR3.04.NPTF										8
DR5 NPTF	5N.DR5.01.NPTF	DR5X NPTF	5X.DR5.01.NPTF	0.5 - 24.0	2	113							
	5N.DR5.02.NPTF		5X.DR5.02.NPTF				4	182.6	150.6				
	5N.DR5.03.NPTF		5X.DR5.03.NPTF							6	252	220	
	5N.DR5.04.NPTF		5X.DR5.04.NPTF										8



OVERALL DIMENSIONS



The appearance of the products can be subject to change without prior notice.