

Centro-Matic® Automatic Lubrication Systems

FlowMaster® Electric Pumps



It seems too good to be true, but Lincoln's new Electric FlowMaster Pump can serve all but the largest automated lubrication applications. Now you can take advantage of the ease and economy of this efficient, versatile electric pump—no cost for air associated with running the pump and no hydraulic hoses to connect.

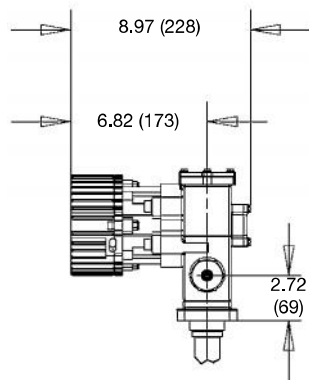
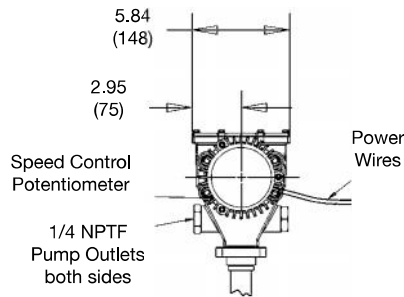
The Electric FlowMaster Pump is a workhorse. Because you can adjust the speed of the pump's motor, you can adjust the pump's output to precisely fit any application. Lincoln offers 12 different models.

For manual lubrication, use the pump with a hose reel and a dispensing valve.

24 and 12 VDC FlowMaster®

Operating Temperature Range:	-40° to +150°F	-40° to +65°C
Pump Outlets:	14" NPTF	
Motor:	24 VDC	1/2" HP Peak
	12 VDC	1/3" HP Peak

Pump Only Models



Model	Capacity			Power	Maximum Pressure Rating	Speed Range RPM
	lbs	gal	L			
85479	35	5	19	24 DC	2500 psi (172 bar)	9.5-100
85748	35	5	19		5000 psi (345 bar)	5-50
85749	120	18	68			9.5-100
85737	60	8	30			
85738	120	18	68			
85747	35	5	19			
85739	400	55	208	12 DC	2500 psi (170 bar)	9.5-100
85752	35	5	19		5000 psi (345 bar)	
85753	35	5	19		2500 psi (172 bar)	
85754	60	8	30		2500 psi (172 bar)	
					3500 psi (241 bar)	

Model	Gear Ratio	Current Draw Amps	Output: in ³ /min	
			Min	Max
85479 *	17.8:1	2-5	0.7	6.3
85748	34:1	1-4.2	0.4	3.5
85749	34:1			
85737	19:1	1-6.5	0.7	6.3
85738	19:1			
85747	17.8:1	2-5		
85739	19:1	1-6.5		
85752	19:1	1-7.5		
85753	19:1			
85754	19:1			

* Kit consisting of pump, follower, bucket cover and hardware