

Product description
Pump ZP6000

APPLICATION

The pumps ZP6000 are used for direct lubrication in multi-line systems (one delivery element per lubricating point) or as delivery pump for lubricant in progressive systems.

PRODUCT CHARACTERISTICS

- Multi-line pump
- up to 32 lubrication points
- Maintenance-free
- Pressure range up to 160 bar
- Lubricant: oil, grease, liquid grease
- Surface signal grey RAL 7004



Pump ZP6000

FUNCTION

Drive of pump ZP6000 is effected by means of electromotor with step-down gearing flanged onto the housing and linked with the worm shaft via Woodruff key in form-fit connection.

Each feed-line connection is equipped with a delivery piston and a control piston. A rotary motion is imparted on the pump shaft with cam disk via drive, vertical shaft and bevelgear pair the delivery piston getting a stroke motion. The control gear is to actuate the control piston. Due to the stroke motion of delivery pistons, lubricant intake is effected through the control ducts of control pistons and delivered into the pressure bore. The scraper plate is delivering the lubricant to the suction bores. The stirrer blade pressing the lubricant through the sieve plate into the suction compartment is arranged in the lubricant reservoir.

The pump ZP6000 can be supplied with 1 or 2 pumping units installed opposite to each other with a maximum of 16 feed-line connections. The rate of delivery can be set infinitely from 0 ... 0,2 cm³/stroke. Upon dispatch of pumps, the rate of delivery has been set to maximum value.

Feed-line connections not required shall be out to "zero rate of delivery" and should not be closed.

A. PUMP TYPE ZP6000	Code
	ZP6

B. NUMBER OF OUTLETS	Code
6 outlets	06
16 outlets	16
32 (16 + 16) outlets	32

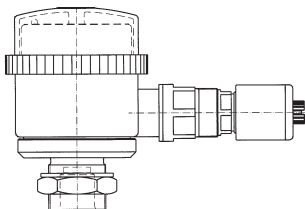
C. REVISION	Code
Status B	B

D. KINDS OF DRIVE	Code
Step-down gear, ratio 150:1, three-phase A.C. motor 230/400V; 50Hz, M	01
Step-down gear, ratio 225:1, three-phase A.C. motor 230/400V; 50Hz, VM, on a base plate	02
Step-down gear, ratio 225:1, three-phase A.C. motor 290/500V; 50Hz, VM, on a base plate	04
Step-down gear, ratio 450:1, three-phase A.C. motor 230/400V; 50Hz, VM, on a base plate	03
Step-down gear, ratio 450:1, three-phase A.C. motor 290/500V; 50Hz, VM, on a base plate	05

E. POSITION OF DRIVE	Code
on the right	R
on the left (only for gear ratio 225:1 and 450:1)	L

F. RESERVOIR	Code
10 liters metal, with hinge, closure and removable	A
20 liters metal, with hinge, closure and removable	B
30 liters metal, with hinge, closure and removable	C
60 liters metal, with hinge, closure and removable	D

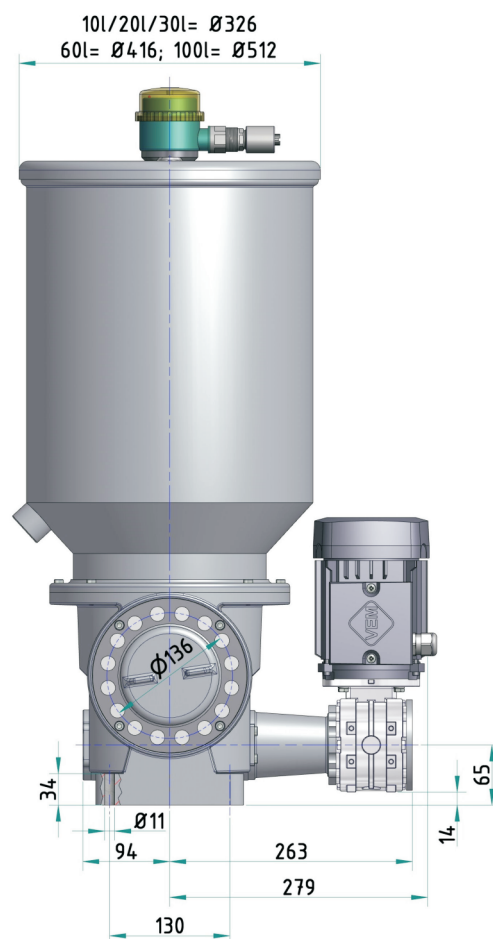
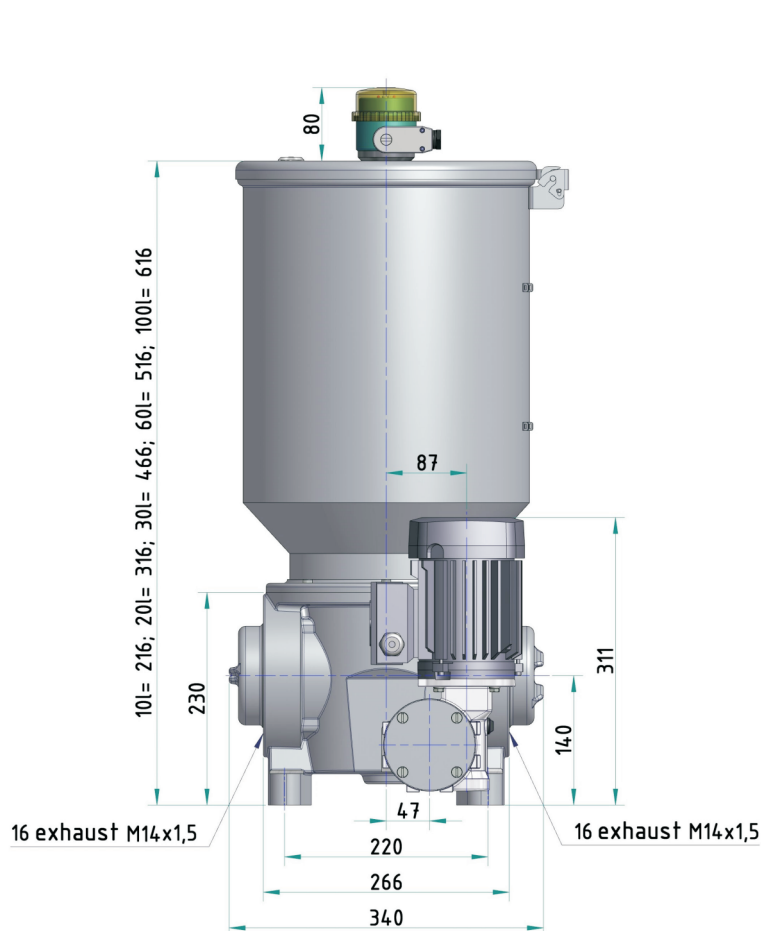
G. ACCESSORIES	Code
without	00
Ultrasonic level switch	01



Ultrasonic level switch see data sheet: BA_2005_1_GB_76951_6011

SPECIFICATION

Rated pressure : _____ 160 bar
 Operating pressure : _____ in dependence on operating mode and operating conditions
 (to be agreed upon with the manufacturer)
 Rate of delivery per outlet : _____ 0 ... 0.2 cm³/stroke
 Pipe connection for feed line : _____ M 14 x 1.5
 Step-down ratio : _____ 150 : 1; 225 : 1; 450 : 1
 Delivery rate : _____ 1.69 cm³/min; 1.12 cm³/min; 0.6 cm³/min
 Rated speed of pump shaft (rpm) : _____ max. 12 min⁻¹
 Electro motor : _____ K21R 71 G4 IM B14K
 Rated speed : _____ 1360 min⁻¹
 Motor power _____ 0.37 kW
 N/GI class : _____ 000 ... 3
 Temperature range : _____ - 30 °C up to + 60 °C
 Number of outlets : _____ max. 32
 Reservoir capacity : _____ 10; 20; 30; 60 liters
 Weight : _____ 40 and/or 50 kg



EXAMPLE OF ORDER

Code											
Z	P	6	3	2	B	0	1	R	C	0	1

Pump type ZP6000	Code: ZP6										
Number of outlets 32 outlets	Code: 32										
Revision Status B	Code: B										
Kinds of drive Step-down gear, ratio 150:1, three-phase A.C. motor 230/400V, 50Hz, M	Code: 01										
Position of drive on the right	Code: R										
Reservoir size 30 liters metal, with hinge, closure and removable	Code: C										
Accessories Ultrasonic level switch for reservoir 30 liters	Code: 01										

DELIMON GmbH
Zentrale
 Arminstraße 15
 D-40227 Düsseldorf
 Telefon: +49 211 7774 0
 Telefax: +49 211 7774 210
 kontakt@bijurdelimon.com
 www.bijurdelimon.com

DELIMON
Niederlassung Beierfeld
 Am Bockwald 4
 D-08344 Grünhain-Beierfeld

DELIMON
Österreich
 Lemböckgasse 49
 Haus 2 / Stiege E 4.OG / Top E 4-3
 A-1230 Wien
 Telefon: +43 1 585 66 17
 Telefax: +43 1 585 66 17 50
 kontakt@bijurdelimon.com
 www.bijurdelimon.com

LUBRIMONSA
Spain
 Avda. Txori-Erri 38
 48150 Sondica - (Vizcaya)
 Teléfono: +34 94 453 20 00
 Fax: +34 94 453 25 00
 spain@bijurdelimon.com

DENCO Lubrication Ltd.
DELIMON-Cooling
United Kingdom
 Ramsden Court, Ramsden Road
 Rotherwas Industrial Estate
 Hereford, HR2 6LR
 Phone: +44 (0) 1432 365 000
 Fax: +44 (0) 1432 365 001
 info@delimon.co.uk
 www.bijurdelimon.com

BIJUR Products, Inc.
France
 P.O. Box 50
 Z.I. de Courtabœuf
 9, Avenue du Québec
 91942 Courtabœuf Cedex
 Tél.: +33 1 692 985 85
 Fax: +33 1 690 776 27
 contact@bijurdelimon.com
 www.bijurdelimon.com

BIJUR Lubricating Ireland Ltd.
 Gort Road
 Ennis, County Clare
 Tel.: +35 3 65 682 1543
 Fax: +35 3 65 682 0327
 www.bijurdelimon.com

Für reibungslose Bewegung
For smooth motion