

**Product description**  
**Distributor ZV-B**

**APPLICATION**

The distributors ZV-B are used for dual-line central lubrication systems for grease and for oil. Their function is to meter the lubricant and to press it through the lines to the lubrication points independently of back pressure.

**PRODUCT CHARACTERISTICS**

- Dual-line manifold block
- Grease and oil
- up to 8 outlets
- Metered volume 0.5; 1.5 or 3.0 cm<sup>3</sup>
- Material: machining steel



**DESIGN**

The distributors ZV-B are block type designed, and constructed in different metering volumes. Each distributor has two threaded holes G 3/8 on each of its two faces for the optional connection of the two main lines. For the connection of the friction point lines, the distributor has two to eight threaded holes G 1/4. The distributor does not have springs and works hydraulically, operated by the lubricant.

**FUNCTION**

The distributor ZV-B has one metering piston and one control piston for every two lubrication points, connected. Depending on either main line no. I or main line no. II is pressurized, where the second main line must be relieved of pressure, only that lubrication point will be served which is associated with the main line concerned. As a result, an operating cycle always includes two lubricating strokes.



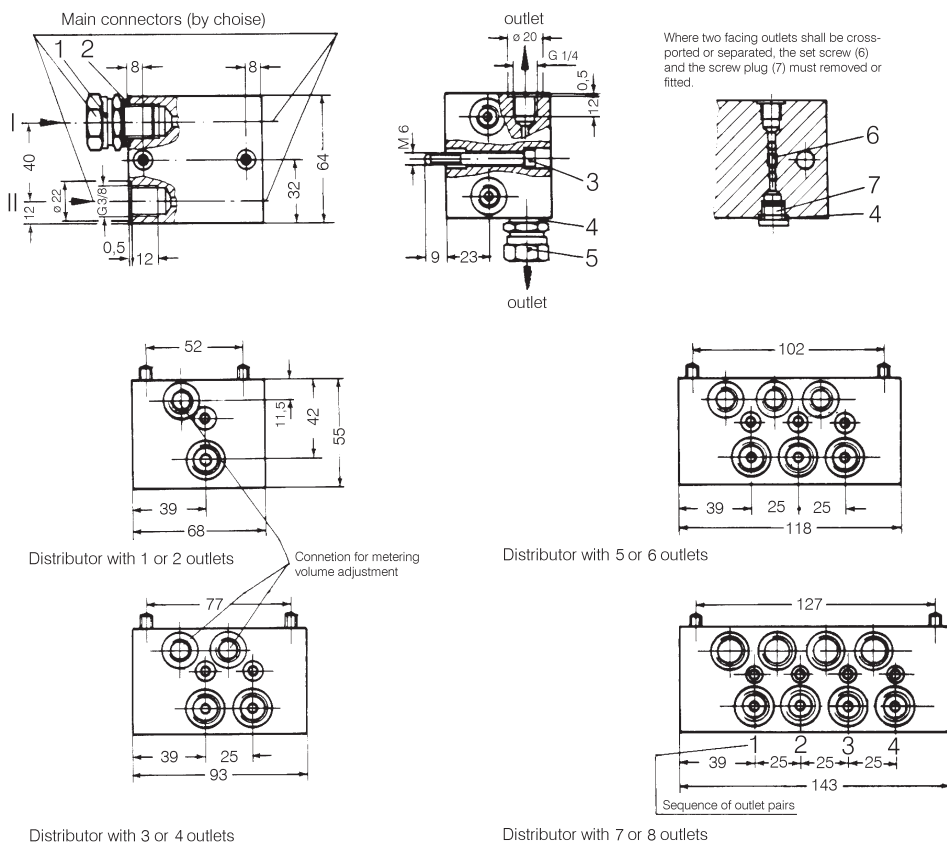
<b>A. DISTRIBUTOR TYPE</b>	<b>Code</b>
----------------------------	-------------

ZVB

<b>B. NUMBER OF OUTLETS</b>	<b>Code</b>
-----------------------------	-------------

- 1 outlet
- 2 outlets
- 3 outlets
- 4 outlets
- 5 outlets
- 6 outlets
- 7 outlets
- 8 outlets

- 01
- 02
- 03
- 04
- 05
- 06
- 07
- 08



<b>C. REVISION</b>	<b>Code</b>
--------------------	-------------

Status A

A

<b>D. METERED VOLUME</b>	<b>Code</b>
--------------------------	-------------

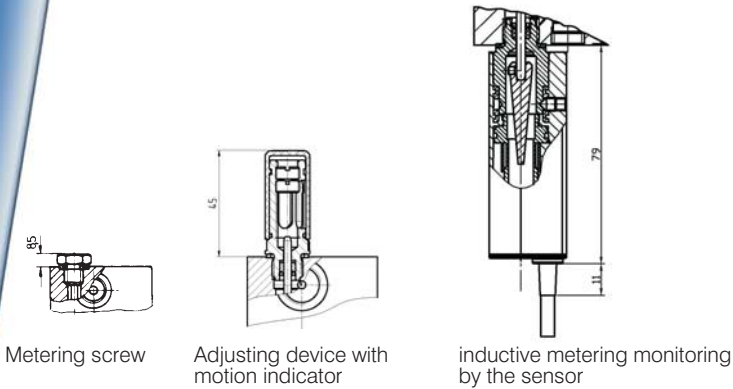
- 0.5 cm<sup>3</sup>
- 1.5 cm<sup>3</sup>
- 3.0 cm<sup>3</sup>

- 05
- 15
- 30

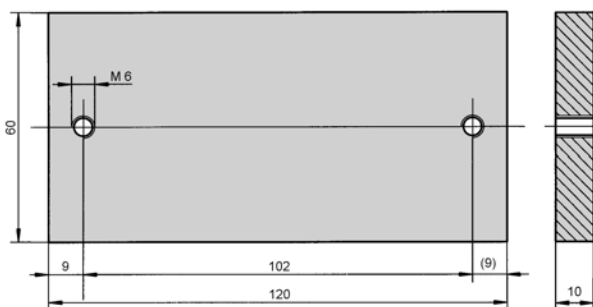


<b>E. METERING</b>	<b>Code</b>
Metering screw 1/1 for 1 and 2 outlets	20
Metering screw 1/1 for 3 and 4 outlets	21
Metering screw 1/1 for 5 and 6 outlets	22
Metering screw 1/1 for 7 and 8 outlets	01
Adjusting device with motion indicator for 1 and 2 outlets	33
Adjusting device with motion indicator for 3 and 4 outlets	34
Adjusting device with motion indicator for 5 and 6 outlets	35
Adjusting device with motion indicator for 7 and 8 outlets	32
Metering screw 1/1 & sensor for 1 and 2 outlets	*
Metering screw 1/1 & sensor for 3 and 4 outlets	*
Metering screw 1/1 & sensor for 5 and 6 outlets	*
Metering screw 1/1 & sensor for 7 and 8 outlets	*
Adjusting device with motion indicator & sensor for 1 and 2 outlets	*
Adjusting device with motion indicator & sensor for 3 and 4 outlets	*
Adjusting device with motion indicator & sensor for 5 and 6 outlets	*
Adjusting device with motion indicator & sensor for 7 and 8 outlets	*

\* is determined by position of sensor selection of the price list



<b>F. ACCESSORIES</b>	<b>Code</b>
without	00
Weld-on plate as per SMS standard for 1 and 2 outlets incl. fixing screws	20
Weld-on plate as per SMS standard for 3 and 4 outlets incl. fixing screws	21
Weld-on plate as per SMS standard for 5 and 6 outlets incl. fixing screws	22
Weld-on plate as per SMS standard for 7 and 8 outlets incl. fixing screws	01



Weld-on plate for 5 and 6 outlets

## SPECIFICATION

Working pressure max. : \_\_\_\_\_ 400 bar  
 Actuating pressure min.: \_\_\_\_\_ 10 bar  
 Metered volume : \_\_\_\_\_ 0.5; 1.5 or 3.0 cm<sup>3</sup>  
 Actuating volume : \_\_\_\_\_ 0.3 cm<sup>3</sup>  
 Number of outlets : \_\_\_\_\_ 1 up to 8  
 Temperature range : \_\_\_\_\_ - 20 °C up to + 80 °C  
 Suitable lubricants on mineral oil basis:  
 Grease lubricants \_\_\_\_\_ NLGI class 3 DIN 51818  
 Oil \_\_\_\_\_ ISO VG 68 to 1500 (DIN 51519) as service viscosity 190 mm<sup>2</sup>s  
 Synthetic lubricants : \_\_\_\_\_ on request

Specifications for inductive sensor see data sheet: 66925S001\_2006\_1\_D-GB.

## EXAMPLE OF ORDER

		Code											
		Z	V	B	0	3	A	0	5	2	1	0	0
<b>Distributor type ZV-B</b>	Code: ZVB												
<b>Number of outlets</b> 3 outlets	Code: 03												
<b>Revision</b> Status A	Code: A												
<b>Metered volume</b> 0.5 cm <sup>3</sup>	Code: 05												
<b>Metering</b> Metering screw 1/1 for 3 and 4 outlets	Code: 21												
<b>Accessories</b> without	Code: 00												

**DELIMON**  
**Headquarter**  
 Arminstraße 15  
 D-40227 Düsseldorf  
 PO Box 10 20 52  
 D-40011 Düsseldorf  
 Phone: +49 211 7774 0  
 Fax: +49 211 7774 210  
 info@delimon.de  
 www.delimon.de

**DELIMON**  
**Office & Plant Beierfeld**  
 Am Bockwald 4  
 D-08344 Grünhain-Beierfeld

**DELIMON**  
**Office Austria**  
 Schloßhofer Str. 4-6  
 Stiege 4, Top 20  
 A-1210 Vienna  
 Phone: +43 1 585 66 17  
 Fax: +43 1 585 66 17 50  
 info@delimon.at  
 www.delimon.at

**LUBRIMONSA**  
**Spain**  
 Avda. Txori-Erri 38  
 48150 Sondica - (Vizcaya)  
 Teléfono: +34 94 453 20 00  
 Fax: +34 94 453 25 00  
 sales@lubrimonsa.es

**DELIMON-Denco Lubrication**  
**DELIMON-Cooling**  
**United Kingdom**  
 Ramsden Court, Ramsden Road  
 Rotherwas Industrial Estate  
 Hereford, HR2 6LR  
 Phone: +44 (0) 1432 365 000  
 Fax: +44 (0) 1432 365 001  
 info@delimon.co.uk  
 www.delimon.co.uk

**BIJUR Products, Inc.**  
**France**  
 BP 50  
 ZI de Courtabœuf  
 5, Avenue de l'Atlantique  
 91942 Les Ulis Cedex  
 Tél.: +33 1 692 985 85  
 Fax: +33 1 690 776 27  
 bijur@bijur.fr

*Für reibungslose Bewegung  
 For smooth motion*

