

ELECTRIC GREASE PUMPS PEG-5N, PEG-10N

Pump Installation

The pumps must be mounted vertically by means of the fixing bracket integrated in the pump body.

Technical Features

NUMBER OF OUTLETS	FROM 1 TO 3
DISCHARGE PER CYCLE WITH FIXED PUMPING	0.16 CC
DISCHARGE PER CYCLE WITH ADJUSTABLE PUMPING	0.01 – 0.16 CC
SUITABLE LUBRICANTS	GREASE UP TO A CONSISTENCY NLGI NO. 2
MAXIMUM RECOMMENDED OPERATING PRESSURE	500 bar (7260 PSI)
TANK CAPACITY	5 KG or 10 KG
TEMPERATURE	FROM - 30 °C TO + 80 °C
DELIVERY FITTING	1 / 4" G
ELECTRIC LEVELS PEG-5N E PEG-10N	5A – 250 V AC 0.4 A - 125 V DC IP65 RESISTIVE LOAD

Electric Motor Features

POWER SUPPLY VOLTAGE	220-240/380-420
FREQUENCY	50 Hz
ABSORPTION	0.64-0.74/0.37-0.46 A
POWER SUPPLY VOLTAGE	254-280/440-480
FREQUENCY	60 Hz
ABSORPTION	0.64-0.74/0.37-0.46 A
POWER SUPPLY VOLTAGE	115 V AC
FREQUENCY	50 Hz o 60 Hz
ABSORPTION	2.2 A
POWER SUPPLY VOLTAGE	230 V
FREQUENCY	50 Hz o 60 Hz
ABSORPTION	0.9 A
POWER	90 W
PROTECTION RATING	IP - 55
SERVICE	CONTINUOUS S1
INSULATION	CLASS F
CONSTRUCTION SHAPE	B14
SIZE	MEC - 56

ELECTRIC GREASE PUMPS PEG-5N

ELECTRIC GREASE PUMP MODEL PEG-5N METAL TANK 5 KG

Ordering Codes

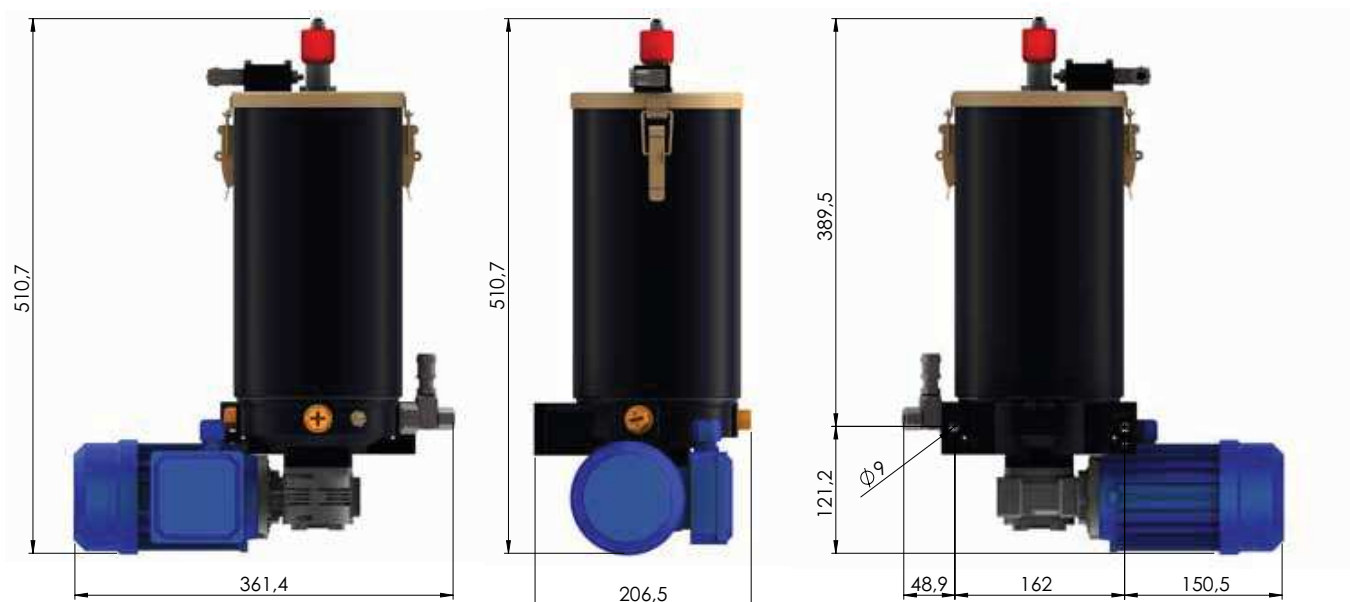
The standard version is applied with a single outlet. Further pumping elements must be ordered separately.

PART NUMBER	CODE	RED.RAT.	CYCLES /1' 50 Hz	CYCLES /1' 60 Hz	NON-ADJUST. DISCHARGE	ADJUSTABLE DISCHARGE
90.880.0	PEG-5N/30	1-30	46	55	***	
90.880.2	PEG-5N/50	1-50	28	33	***	
90.880.5	PEG-5N/80	1-80	17	20	***	
90.898.0	PEG-5N/30 R	1-30	46	55		***
90.898.1	PEG-5N/80 R	1-80	17	20		***

On demand, it is possible to supply single phase motors 115 V AC, 230 V AC 50/60 Hz or motors with special voltages. The required voltage must be added to the ordering code.

Example: part number **90.880.5**
but with electric motor 230 V AC = **90.880.5.230**

Overall Dimensions



The appearance of the products can be subject to change without prior notice.